

VDSL-MUX



FEATURES / BENEFITS

- ✓ LAN Internetworking, Video Conferencing, Channel Extensions, Remote Data Center Access, Distributed PBX networking
- ✓ Line Interface - 2-Wire unconditioned copper utilizing VDSL Technology
- ✓ 10 Base-T LAN Port
- ✓ Serial NX64 Port, Selectable Interfaces
- ✓ T1(DSX-1) or E1 Port for Multiple Voice Channels
- ✓ Data Rates - Synchronous to 52Mbps
- ✓ Crosstalk Immunity

DESCRIPTION

The **VDSL-MUX** provides unprecedented speed for network expansion in a campus environment. With the VDSL-MUX installed at each end of an unconditioned 2-wire line, you have instant access to multiple digital services such as LAN internetworking, PBX extensions and video conferencing simultaneously. The unit may also be utilized as a long haul Limited Distance Modem for point to point networking.

The VDSL-MUX utilizes a VDSL chip set for the 2-wire line interface providing very reliable fully digital data transmissions.

Designed to bridge the gap between LANs and WANs the VDSL-MUX features full duplex rates up to 26 Mbps over standard 2-Wire unconditioned copper lines. The unit simultaneously supports Ethernet, NX64 serial transmissions and T1/E1 PBX traffic in a single platform.

The Ethernet port is a 10 Base-T port. The PBX port operates at a 1.544Mbps or 2.048Mbps fixed rate or may be disabled if not in use for bandwidth allocation.

The NX64 serial port supports either RS-422/449, RS-530, X.21, V.35, RS-232, TTL and HSSI through individual interface modules. Multiple data rates and timing sources are selectable.

The VDSL-MUX supports downline loading and storage of system configurations. The diagnostic capabilities include local analog loop, local digital loop and remote digital loop. Configuration is accomplished via an Async RS-232 Port. Setup procedures are menu driven and all parameters are stored in memory that supports power outages

The VDSL-MUX has a one year return to factory warranty. The unit operates on 110/220 volt AC.

EAST COAST DATACOM, INC.

SPECIFICATIONS

Application

Point-to-Point high bandwidth Limited Distance Modem that supports LAN, NX64 Serial data and T1 or E1

Capacity

One: 2-Wire Interface
One: 10 Base-T Port
One: NX-64 Serial Port
One: DSX-1 Port or E1 Port

Line Interface

2-Wire Full Duplex
VDSL Line Encoding

LAN Interface

10 Base-T with RJ-48c
Through-Put: Full 10Mbps

T1/E1 Port (PBX)

Input: 0 to -7.5 dB
Clock Rate: 1.544 or 2.048Mbps fixed rate or disable
Connector: RJ-48C

Serial Data Port

Data Rate: NX64 selectable, 64K to 6.144Mbps
Interface Options: RS-422/449, RS-530, X.21, V.35, RS-232 and HSSI
HSSI Rates: 64K to 28.416Mbps

Driving Distance and Rates

Dependent on data rate and wire gauge
Symmetrical Operation
4M@ 6,200 ft
6M@ 5,500 ft
13M@ 4,000 ft
26M@ 2,300 ft

Line Requirements

2-Wire private, unconditioned copper wire

Surge Protection

2-Wire interface and power supply

Power Source

100-120 to 200-220VAC @10%, 50/60Hz, 0.16/0.08A,
external 110/220 volt select switch, IEC Power Inlet, (2)
5mm Fuses

Environmental

Operating Temperature.....32° to 122° F (0° to 50° C)
Relative Humidity.....5 to 95% Non-Condensing
Altitude.....0 to 10,000 feet

Dimensions

Height 1.75 inches (4.44 cm)
Width 7.90 inches (20.07 cm)
Length 9.00 inches (22.86 cm)

Weight

2 pounds (0.914Kg)

Warranty

One Year, Return To Factory

Approvals

Emissions: CE Approved
Safety: CE Approved

ORDERING INFORMATION

Part #: 151000 VDSL-MUX
Description: Base Unit, Network Extender

Available Interfaces

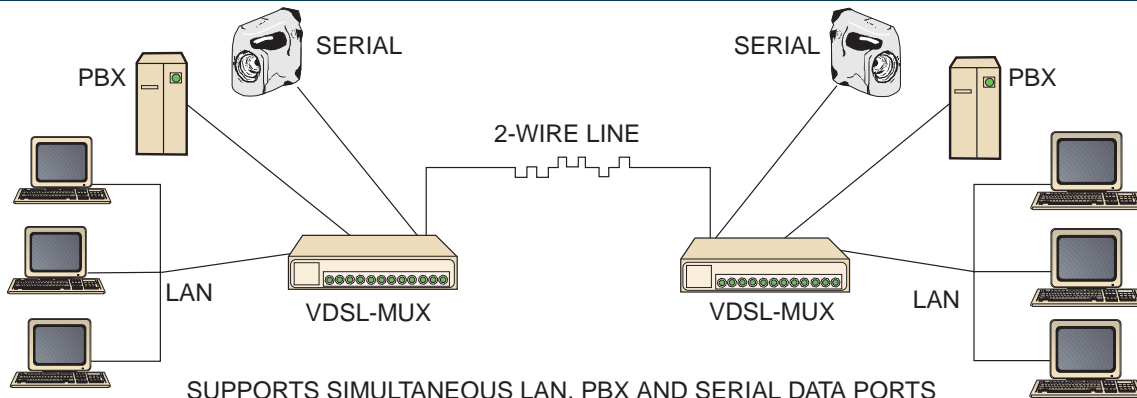
Part #: 151015 T1 (DSX-1) I/M
Part #: 151023 E1, Coax I/M
Part #: 151024 E1, Twisted I/M
Part #: 151016 10Base-T I/M
Part #: 151028 HSSI I/M
Part #: 129014 RS-232 DCE I/M
Part #: 129010 V.35 DCE I/M
Part #: 129011 RS-530 DCE I/M
Part #: 129012 RS-422/449 DCE I/M
Part #: 129013 X.21 DCE I/M
Part #: 129057 TTL I/M

INCLUDED WITH EACH UNIT:

- 1) Operations Manual
- 2) U.S.A. Grounded Power Cord, Part # 713015

For further detailed technical information on this product, contact East Coast Datacom Technical Assistance at Tel: (321) 637-9922

EAST COAST DATACOM DESIGNS AND MANUFACTURES DATA COMMUNICATION EQUIPMENT FOR YOUR NETWORK REQUIREMENTS.



SPECIFICATIONS ARE SUBJECT TO CHANGE WITHOUT NOTICE

EAST COAST DATACOM, INC.

245 Gus Hipp Boulevard, STE 3
Rockledge, FL 32955-4812, U.S.A.

TEL: (321) 637-9922

WEB SITE: www.ecdata.com

FAX: (321) 637-9980