

Remote Secure Console Server

Async2IP_WEB



FEATURES / BENEFITS

- ✓ Remote Secure Console Server via SSL Web Browser
- ✓ Supports Unlimited Remote Sites
- ✓ Transports Async Serial Communications over a 10/100 Ethernet Network
- ✓ Async Data Rates - 1200bps to 115.2Kbps for Simultaneous 4-Port Operation
- ✓ Serial Interface - Four RS-232 Ports on RJ-45 Connectors
- ✓ LAN Interface - 10/100Base-T on RJ-45
- ✓ Supports Twisted Pair Crossover Detection and Auto-Correction (HP Auto-MDIX)
- ✓ Secure SSL Encryption
- ✓ Straight-through CAT-5 cabling for Easy Connection
- ✓ Log Off, Location I.D. feature and supports DHCP
- ✓ Firmware Upgrades via 10/100 LAN Port
- ✓ Extends Management Capabilities to Remote Devices
- ✓ AC or DC Power Supply Options
- ✓ 1U Rackmount Enclosure

DESCRIPTION

The Async2IP_WEB remote secure console server allows network administrators to securely control and monitor remote routers, switches and servers over the corporate TCP/IP network using secure SSL encryption and password protection. The Async2IP_WEB allows remote management of async serial ports using an HTTPS encrypted web browser at the host site. The user interface is presented as a terminal screen with a command prompt on a web based GUI interface. No additional hardware or software is required at the host site and the Async2IP_WEB supports an unlimited amount of remote sites.

Local IT administrators can gain fast access to remote IT problems without sending expensive service personnel to trouble shoot a problem site. The Async2IP_WEB provides a significant return on investment with fast problem solving capabilities producing higher network uptime.

Installation is fast and simple with the built in Async2IP_WEB GUI interface. Each terminal port session is presented on its own GUI Window. The Async2IP_WEB has a 10/100 LAN port that supports twisted pair crossover detection and auto-correction (HP Auto-MDIX). The unit has four async RS-232 data ports presented on RJ-45 connectors. The RJ-45 pin-out allows low cost CAT-5 cable connections with straight through cables to Cisco routers/switches asynchronous command ports.

The Async2IP_WEB unit's system firmware upgrades are accomplished via the 10/100 LAN port. After completion of the firmware upgrade the Async2IP_WEB will reset itself and resume normal communications. No system software is required to be installed on the user's network or workstations for operation of the Async2IP_WEB.

The Async2IP_WEB is housed in a sturdy 19 inch 1U high chassis and has a 90-120 VAC power supply. Additional power supplies of 90-240VAC or 36 to 72 Volts DC are also available.

The Async2IP_WEB has a 3-year warranty and a 24 hour turnaround on warranty repairs.

EAST COAST DATACOM, INC.

SPECIFICATIONS

Application

Remote Secure Console Server, 4-Port RS-232 Serial port management via Ethernet with a secure SSL Web Browser

Capacity

Up to Four Serial Async Ports converted to one 10/100 Base-T LAN Port

Interface

RS-232 on RJ-45's, Async, 8, N, 1(10 bit)
LAN: 10/100 Base-T, RJ-45 with DHCP Support

Data Rates

Serial Data: 1200 bps to 115.2 Kbps for simultaneous 4-Port operation
LAN: 10/100Mbps

Data Format

Data transparent at all data rates

Serial Buffer

2048 bytes

Configuration Encryption

Via SSL Encrypted Web Browser Interface, supports SSL v3

User Configuration

Stored in Flash memory

Firmware Upgrades

Upgraded via 10/100 LAN Port

Indicators

System: Green or Yellow
Peer: Green or Yellow
Port 1: Green or Yellow
Port 2: Green or Yellow
Link: Green
Activity: Yellow

Power Source

AC Power Option: 90-120VAC 50Hz or 90-240VAC, 50/60Hz, external 110/220 select, IEC Power Inlet
DC Power Option: DC Voltage, Input Range of -36 to -72vdc,

Environmental

Lead Free: RoHS Compliant
Operating Temp: 32° to 122° F (0° to 50° C)
Relative Humidity: 5 to 95% Non-Condensing
Altitude: 0 to 10,000 feet

MTBF – Telcordia Issue 1

AC Powered: 371,246 hours
DC Powered: 330,734 hours

Dimensions

Length 3.22 inches (8.18 cm)
Width 19.00 inches (48.26 cm)
Height 1.75 inches (4.44 cm)

Weight

2 pounds (0.97 Kg)

Warranty

Three Years, Return To Factory

ORDERING INFORMATION

PT# 183000

Model: Async2IP_WEB

Desc: 4-Port Remote Secure Console Server
Power Supply Options

PT# 180062

Model: AC 110VAC

PT# 180070

Model: AC 110/220VAC

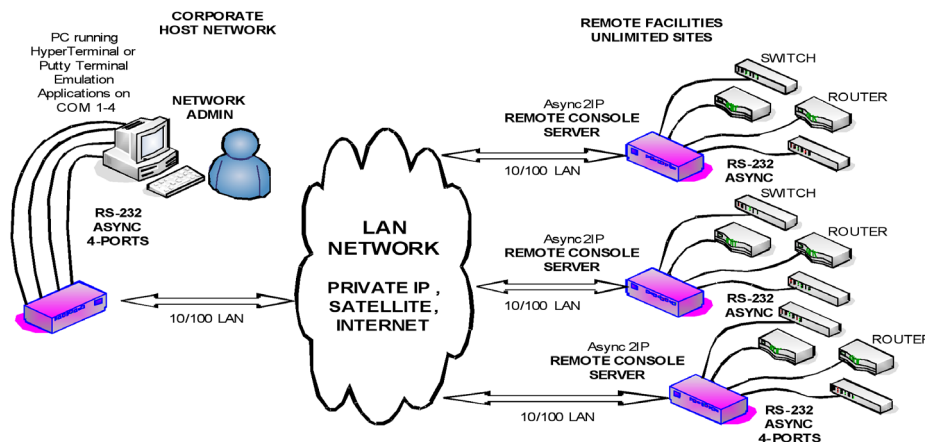
PT# 180074

Model: DC 36-72VDC

Included with each unit:

1) Installation Guide

EAST COAST DATACOM DESIGNS AND MANUFACTURES DATA COMMUNICATION EQUIPMENT FOR YOUR NETWORK REQUIREMENTS.



SPECIFICATIONS ARE SUBJECT TO CHANGE WITHOUT NOTICE

EAST COAST DATACOM, INC.

245 Gus Hipp Boulevard, STE 3 • Rockledge, FL 32955-4812 U.S.A.

TEL: (321) 637-9922

WEB SITE: www.ecdata.com

FAX: (321) 637-9980