

SV11-AV24

SYNC TO ASYNC CONVERTER



FEATURES / BENEFITS

- ✓ Interface - Synchronous V.11 supporting RS-422, RS-530 Asynchronous RS-232
- ✓ Data Rates - Sync at 9.6k and Async rate of 19.2k
- ✓ Data Format - 8, N, 1
- ✓ Line Powered
- ✓ Simplex operation of sync to async
- ✓ Compact and Easy To Install

DESCRIPTION

The SV11-AV24 Converter is designed to perform a simplex (one-way) conversion of synchronous V.11 data and clock signals to an asynchronous V.24 data signal. This conversion is accomplished by shifting synchronous input data into an 8-bit shift register using the interface clock, and then shifting the resulting "character" out serially at 19.2Kbps with start and stop bits inserted. Since there are more bits to transmit than received in a given period of time, the receive data clock rate can be any standard rate less the 19.2Kbps, e.g. 9600bps.

Two LED indicators provide operational status for the converter. The "FOP" LED provides a visible indication of the state of the FOP signal lead from the attached V.11 DCE. The "Data" LED indicates the state of the data signal sent to the V.24 DTE on RXD, and returns to OFF after each async character is sent.

Power for the Converter is supplied by the Async V.24 interface, specifically from the DTR and RTS signal leads. Provided one or both of these circuits are ON, there will be sufficient regulated power for the Converter to operate.

The Converter also provides direct connection of the CTS lead on the V.11 interface to the CTS lead of the V.24 interface, and of the FOP lead on the V.11 interface to the DCD lead of the V.24 interface.

The SV11-AV24 has a three year warranty and a 24 hour turnaround on warranty repairs.

EAST COAST DATACOM, INC.

SPECIFICATIONS

Application

Sync V.11 balanced to Async RS-232 Conversion

Capacity

One sync V.11, RS-422/RS-530 modem

One RS-232 async terminal

Interface

Sync: Balanced V.11, RS-422 or RS-530

Async: RS-232

Data Rates

9.6K Sync

19.2k Async

Data Format

Data transparent at all data rates

Switches

None

Physical Interface

RS-232: Female DB-25 to Terminal

V.11 RS-422: Male DB-25 to Modem

Power Source

Line Powered from existing equipment - Draws 8ma

- No AC power required

Indicators

Data and FOP

Environmental

Operating Temperature....32° to 122° F (0° to 50° C)

Relative Humidity.....5 to 95%

Non-Condensing

Altitude.....0 to 10,000 feet

Dimensions

Height 0.50 inches (1.27 cm)

Width 1.75 inches (4.44 cm)

Length 1.75 inches (4.44 cm)

Weight

1/2 pound (0.228Kg)

Warranty

Three Years, Return To Factory

ORDERING INFORMATION

Model: SV11-AV24

Description: Sync to Async converter

INCLUDED WITH EACH UNIT:

1) Installation Guide

For further detailed technical information on this product, contact East Coast Datacom Technical Assistance toll free at (800) 240-7948.

OTHER EAST COAST DATACOM PRODUCTS

MODEM AND PORT SHARING DEVICES

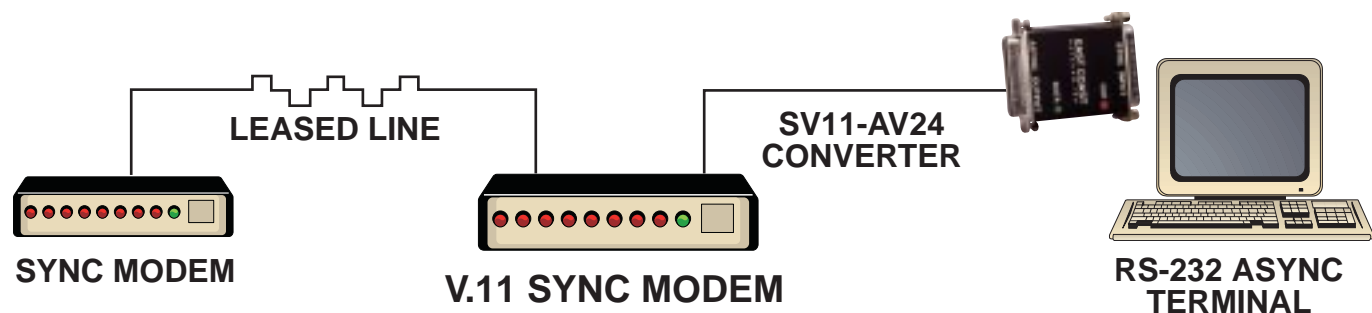
LINE DRIVERS

SIGNAL REGENERATORS

DATA BROADCAST UNITS

ROUTER DELAY SIMULATOR

EAST COAST DATACOM DESIGNS AND MANUFACTURES DATA COMMUNICATION EQUIPMENT FOR YOUR NETWORK REQUIREMENTS.



SPECIFICATIONS ARE SUBJECT TO CHANGE WITHOUT NOTICE

DOC #721015

EAST COAST DATACOM, INC.

245 Gus Hipp Boulevard, STE 3
Rockledge, FL 32955-4812 U.S.A.

TEL: (321) 637-9922

WEB SITE: www.ecdata.com

FAX: (321) 637-9980