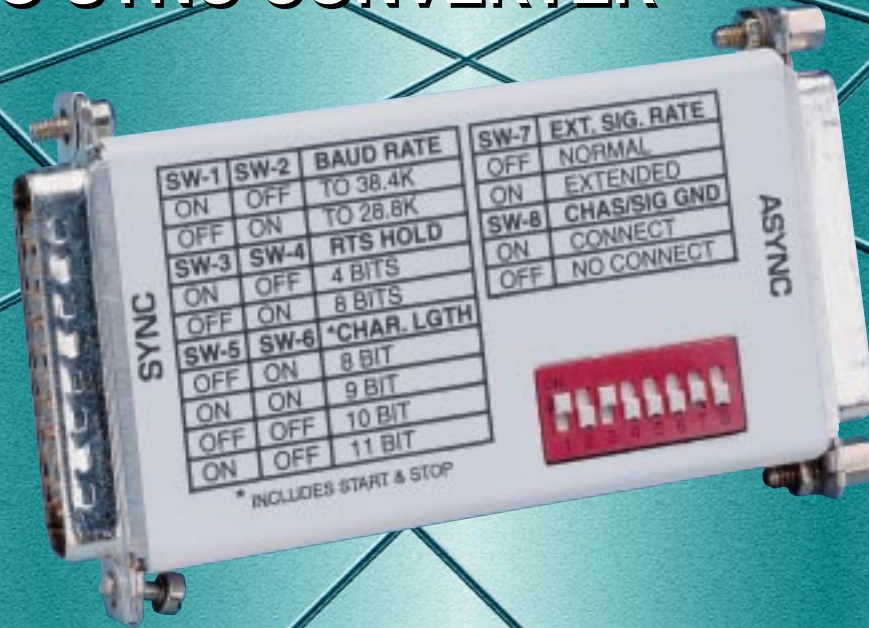


ASC-232 ASYNC TO SYNC CONVERTER

RS-232



SW-1	SW-2	BAUD RATE	SW-7	EXT. SIG. RATE
ON	OFF	TO 38.4K	OFF	NORMAL
OFF	ON	TO 28.8K	ON	EXTENDED
SW-3	SW-4	RTS HOLD	SW-8	CHAS/SIG GND
ON	OFF	4 BITS	ON	CONNECT
OFF	ON	8 BITS	OFF	NO CONNECT
SW-5	SW-6	*CHAR. LGTH		
OFF	ON	8 BIT		
ON	ON	9 BIT		
OFF	OFF	10 BIT		
ON	OFF	11 BIT		

* INCLUDES START & STOP

FEATURES / BENEFITS

- ✓ Interface - RS-232, DB-25 Male (To DCE) and Female (To DTE)
- ✓ Data Rates - Synchronous to 38.4bps and supports 3/4 baud rates
- ✓ Synchronous data rates are automatically adjusted
- ✓ Line Powered or optional DC Power
- ✓ Switch selectable - 8 to 11 bits
- ✓ Optional RTS delay circuitry
- ✓ CCITT V.14 and V.22 compliant
- ✓ Supports full and half duplex operation
- ✓ Compact and Easy To Install

DESCRIPTION

The ASC-232 Async to Sync Converter is designed to allow async terminal equipment to transmit over higher speed sync modems. The ASC-232 devices are used in pairs, one at each end of the communication link or in multiples as when used in a multi-drop communication link. Polled network environments are supported by utilizing the RTS holdover delay option that is switch selectable in delay times.

The ASC-232 supports async data of 8, 9, 10 and 11 bits, including the start and stop bit. Standard data rates from 1200 to 38.4bps and 3/4 rates of 900 to 28.8bps are supported for synchronous transmission. The ASC-232 automatically adjusts the sync data rate to match the DTE's output rate, no data rate strapping is required.

Stop bit reduction is provided when the async data rate is faster than the sync data rate, ensuring reliable data communications.

Utilizing new silicon chip technology this device derives its power from both the async and sync RS-232 interfaces, thus no power supply is required. This equates to savings in your power requirements and with battery backup at your data center.

The ASC-232 is housed in a sturdy metal enclosure and will provide in excess of 100,000 hours of reliable service.

The ASC-232 has a three year warranty and a 24 hour turnaround on warranty repairs.

EAST COAST DATACOM, INC.

SPECIFICATIONS

Application

RS-232 async terminal to sync modem
Conversion, full or half duplex

Capacity

One sync RS-232 modem

One async terminal

** Unlimited amount of site drops

Interface

RS-232

Data Rates

1200 to 38.4bps

900 to 28.8bps

Data Format

Data transparent at all data rates

Conforms to CCITT V.14 and V.22,

(Async to Sync conversion)

Switches

Provided for async data set-up, stop
bit reduction, RTS hold over and signal
to frame ground

RS-232 Physical Interface

Male DB-25 Connector to Modem

Female DB-25 Connector for Terminal

Power Source

Line Powered from existing equipment -

Draws 8ma - No AC power required

Environmental

Operating Temperature....32° to 122° F (0° to 50° C)

Relative Humidity.....5 to 95% Non-Condensing

Altitude.....0 to 10,000 feet

Dimensions

Height 0.50 inches (1.27 cm)

Width 1.75 inches (4.44 cm)

Length 3.90 inches (9.91 cm)

Weight

1 pound (0.457Kg)

Warranty

Three Years, Return To Factory

ORDERING INFORMATION

Model: ASC-232 / DC Opt.

Description: Async to Sync converter with
DC Option

INCLUDED WITH EACH UNIT:

1) Installation Guide

For further detailed technical information on this
product, contact East Coast Datacom Technical
Assistance toll free at (800) 240-7948.

OTHER EAST COAST DATACOM PRODUCTS

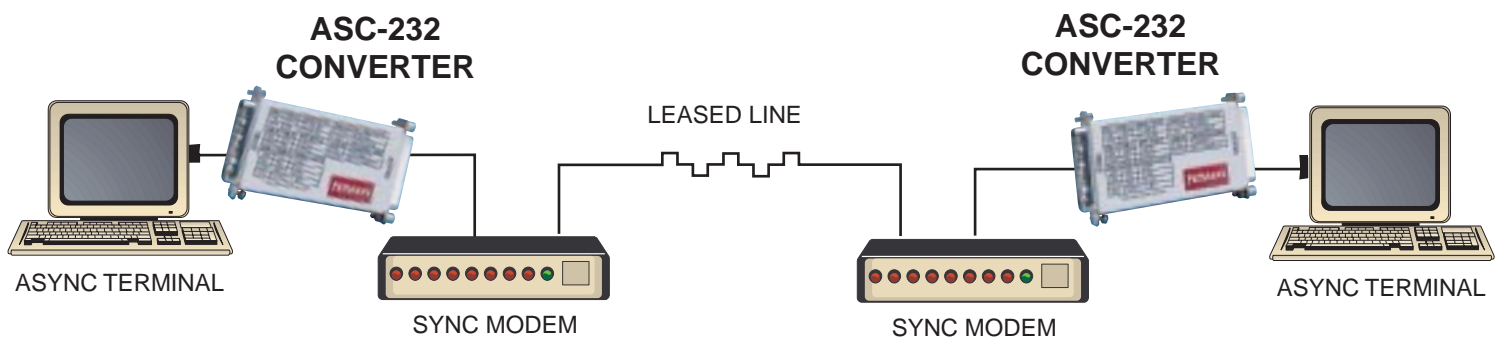
MODEM AND PORT SHARING DEVICES

64K SYNC LINE DRIVER

SIGNAL REGENERATORS

DATA BROADCAST UNIT

EAST COAST DATACOM DESIGNS AND MANUFACTURES DATA COMMUNICATION EQUIPMENT FOR YOUR NETWORK REQUIREMENTS.



SPECIFICATIONS ARE SUBJECT TO CHANGE WITHOUT NOTICE

DOC #721008

EAST COAST DATACOM, INC.

245 Gus Hipp Boulevard, STE 3
Rockledge, FL 32955-4812 U.S.A.

TEL: (321) 637-9922

WEB SITE: www.ecdata.com

FAX: (321) 637-9980