

PART NUMBER

KAT177431-XX

REV.

DATE

DESC.

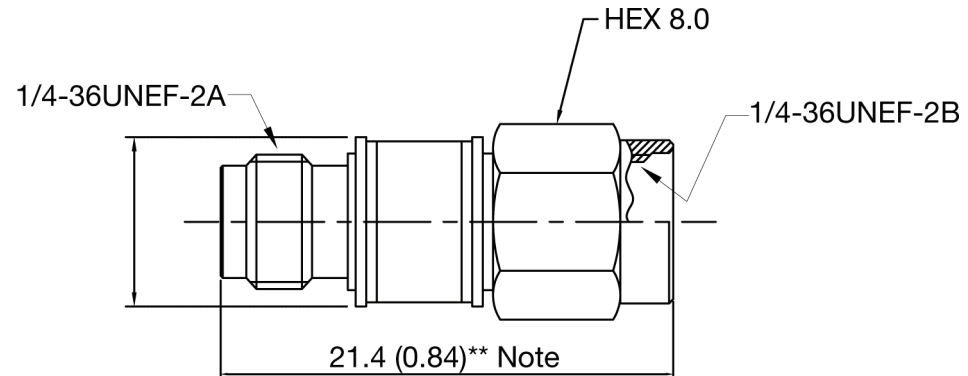
INITIAL

Electrical Data

Impedance 50 Ohm
 Frequency Range DC - 3 GHz
 VSWR 1.2 Max.
 Insulation Resistance 5000 M Ohm Max.
 Input Power 2 Watt

PART ATTENUATION ACCURACY

KAT177431-01	-1dB	±0.5dB
KAT177431-02	-2dB	±0.5dB
KAT177431-03	-3dB	±0.5dB
KAT177431-04	-4dB	±0.5dB
KAT177431-05	-5dB	±0.5dB
KAT177431-06	-6dB	±0.5dB
KAT177431-07	-7dB	±0.5dB
KAT177431-08	-8dB	±0.5dB
KAT177431-09	-9dB	±0.5dB
KAT177431-10	-10dB	±0.8dB
KAT177431-15	-15dB	±1.0dB
KAT177431-20	-20dB	±1.0dB
KAT177431-30	-30dB	±1.0dB



** Note From 1dB to 15dB, length is 21.4mm (0.84in)
 From 20dB to 40dB, length is 23.7mm (0.93in)

WWW.KONNECTRF.COM
 540 NW University Blvd. Ste. 109
 Port Saint Lucie, Florida, 34986
 1-800-790-5887

PART NUMBER

KAT177431-XXDESCRIPTION **Fixed Attenuator - SMA Male to Female**

CAGE CODE

664U0

SIGNATURE

X

Substitute XX in P/N with Attenuation Value (dB)**Materials**

Body
 Contact
 Insulators

Brass
 Be-Cu
 PTFE

Gold Plated
 Gold Plated

THIS DRAWING INCLUDING THE
 DESIGNS IS THE PROPERTY OF
 KONNECT RF AND IS NOT TO
 BE USED FOR ANY PURPOSE
 WITHOUT OUR APPROVAL.