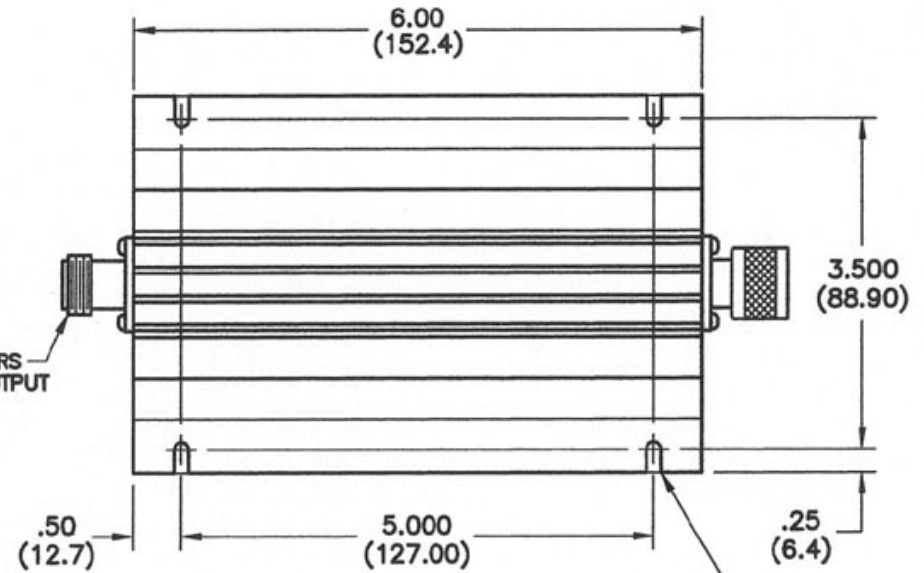
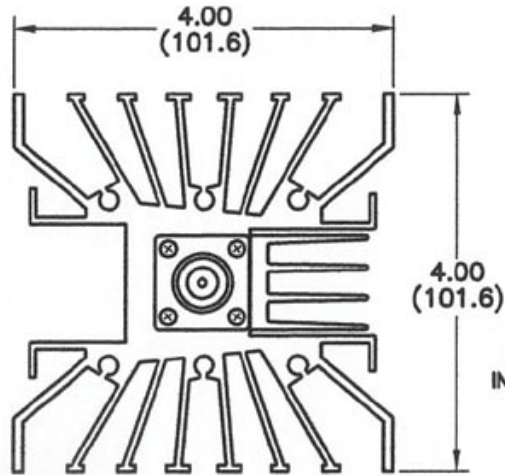


PART NUMBER

**KAT177221 - XX**

REV.

*MF*

.156(3.96) WIDE SLOT, 4 PLACES  
TOP AND BOTTOM OF UNIT

**Electrical Data**

Impedance 50 Ohm  
 Frequency Range DC - 3 GHz  
 Attenuation Value 1 - 10 dB in any 1 dB Increment

V.S.W.R  
 1.5 GHz - 1.15:1  
 2.4 GHz - 1.20:1  
 3.0 GHz - 1.25:1

WWW.KONNECTRF.COM  
 540 NW University Blvd. Ste. 109  
 Port Saint Lucie, Florida, 34986  
 1-800-790-5887

PART NUMBER

**KAT177221 - XX**

DESCRIPTION

**Attenuator - Fixed - 100W - BNC**

CAGE CODE

**664U0**

SIGNATURE

*X*

THIS DRAWING INCLUDING THE  
 DESIGNS IS THE PROPERTY OF  
 KONNECT RF AND IS NOT TO  
 BE USED FOR ANY PURPOSE  
 WITHOUT OUR APPROVAL.