

PART NUMBER

KAD177784

REV.

DATE

DESC.

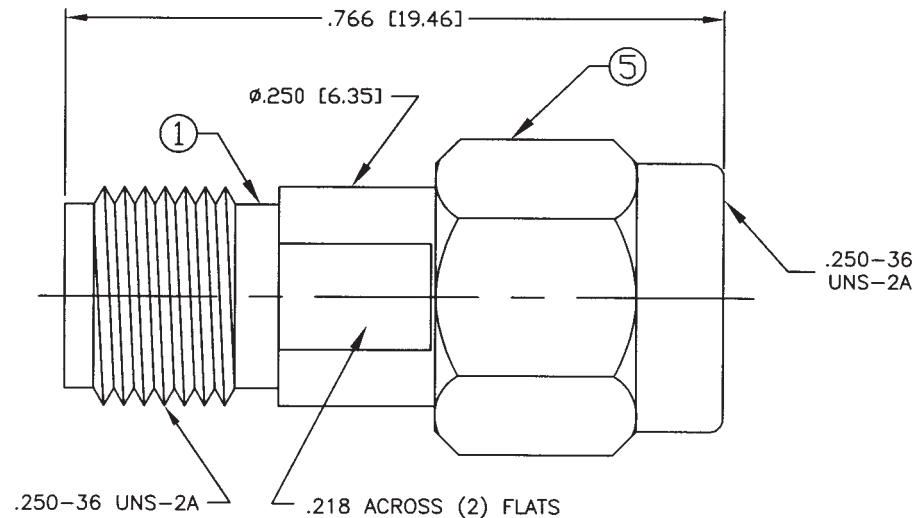
INITIAL

Electrical Data

Impedance 50 Ohm
 Frequency Range DC - 34 GHz
 VSWR 1.04 + .006 f (f=GHz) Max. DC-34 GHz
 Contact Resistance Outer Contact = 2.0 M Ohms
 Center Contact = 3.0 M Ohms

RoHS Compliant**Performance**

Connector Durability 500 Cycles Minimum
 Temperature Range -55°C to 105°C

**Konnnect RF**

540 NW University Blvd. Ste. 109
 Port Saint Lucie, Florida, 34986
 1-800-790-5887

PART NUMBER

KAD177784

DESCRIPTION

Adapter - In-Series - 3.5mm Male Plug to Female Jack - Precision

CAGE CODE

664U0

SIGNATURE

X

Materials

Body	Stainless Steel	Passivated
Center Contact	Be-Cu	Gold Plated
Coupling Nut	Stainless Steel	Passivated
Retaining Ring	Be-Cu	
Insulator	Rexolite	
Gasket	Silicone Rubber	

THIS DRAWING INCLUDING THE DESIGNS IS THE PROPERTY OF KONNECT RF AND IS NOT TO BE USED FOR ANY PURPOSE WITHOUT OUR APPROVAL.