

PART NUMBER

KAD177700

REV.

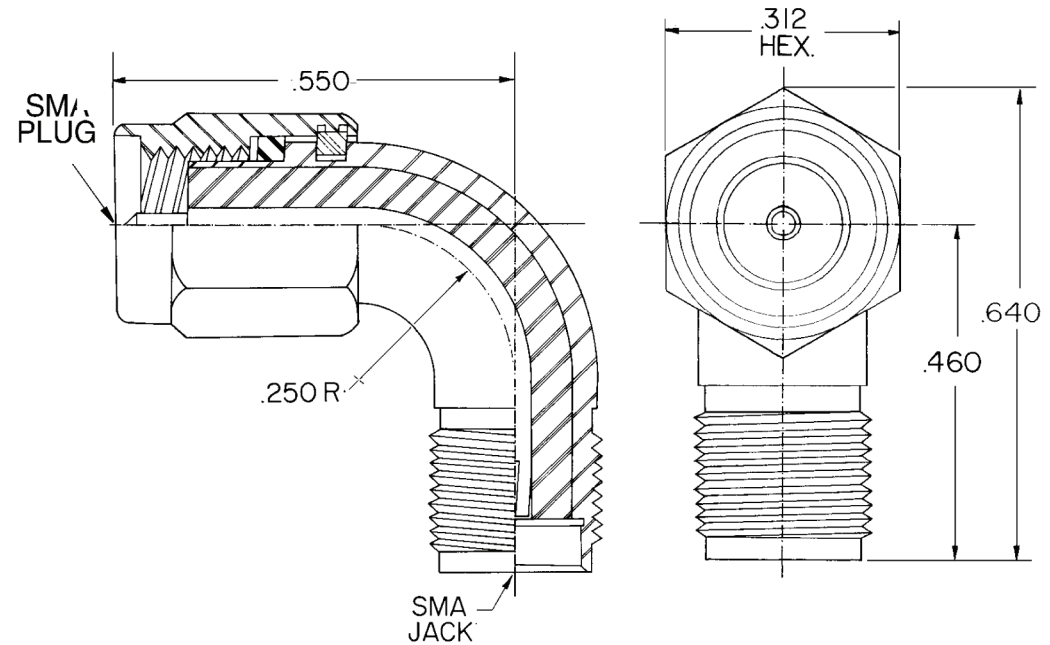
DATE

DESC.

INITIAL

Electrical Data

Impedance 50 Ohm
 Frequency Range DC - 18 GHz
 VSWR 1.20:1 Max.



WWW.KONNECTRF.COM
 540 NW University Blvd. Ste. 109
 Port Saint Lucie, Florida, 34986
 1-800-790-5887

PART NUMBER

KAD177700

DESCRIPTION **Adapter - In-Series - SMA Radius Right Angle
 Male Plug to Female Jack**

CAGE CODE

664U0

SIGNATURE

X

Materials

Body
 Contact
 Insulators

Stainless Steel
 Be-Cu
 PTFE

Gold Plated
 Gold Plated

THIS DRAWING INCLUDING THE
 DESIGNS IS THE PROPERTY OF
 KONNECT RF AND IS NOT TO
 BE USED FOR ANY PURPOSE
 WITHOUT OUR APPROVAL.