

PART NUMBER

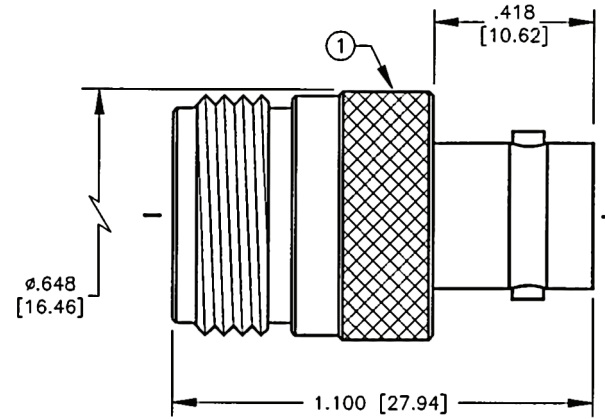
KAD177586

REV.

INITIAL

Electrical Data

Impedance	50 Ohm
Working Voltage	500 VRMS
Frequency Range	DC-4GHz

RoHS Compliant**Konnnect RF**

540 NW University Blvd. Ste. 109
Port Saint Lucie, Florida, 34986
1-800-790-5887

PART NUMBER

KAD177586

DESCRIPTION

**Adapter - Between Series
N Female Jack to BNC Female Jack**

CAGE CODE

664U0

SIGNATURE

X

Materials

Ring	Brass	Silver Plated
Dielectric	Teflon	
Body	Brass	Silver Plated
Contact	Brass	Gold Plated

THIS DRAWING INCLUDING THE
DESIGNS IS THE PROPERTY OF
KONNECT RF AND IS NOT TO
BE USED FOR ANY PURPOSE
WITHOUT OUR APPROVAL.