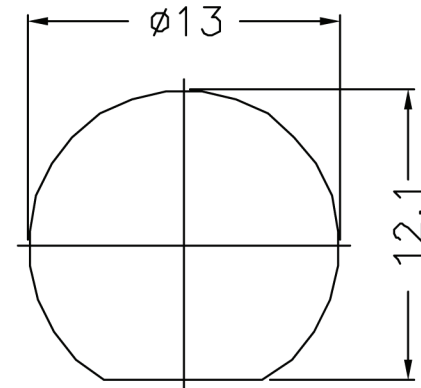
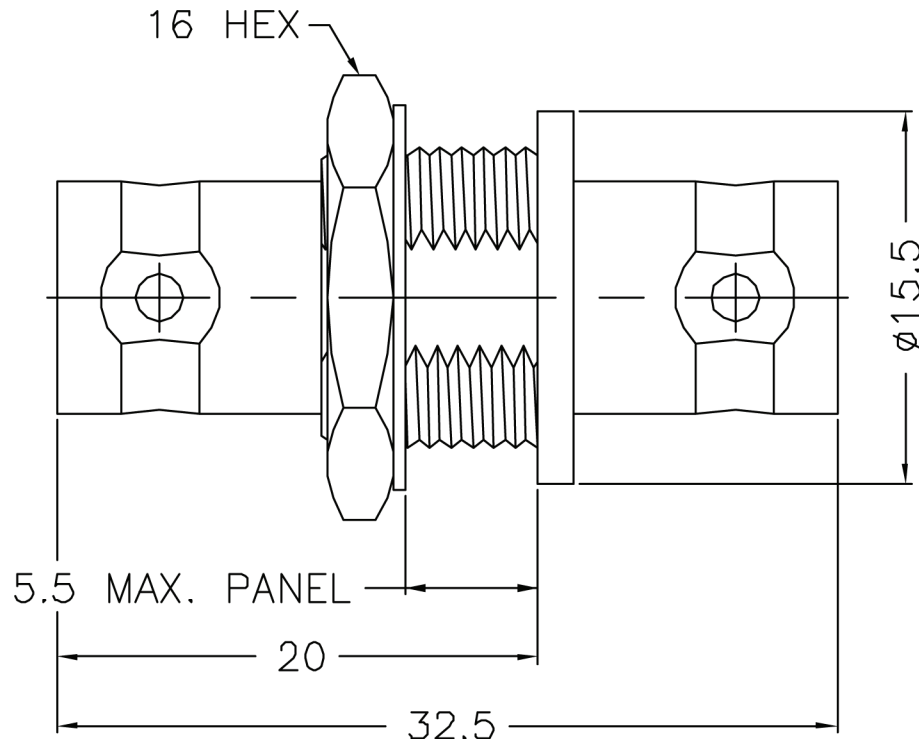


PART NUMBER

KAD177443

REV.

INITIAL

RoHS CompliantRECOMMENDED
MOUNTING HOLE**Konnect RF**

540 NW University Blvd. Ste. 109
Port Saint Lucie, Florida, 34986
1-800-790-5887

PART NUMBER

KAD177443

DESCRIPTION

**Adapter - In-Series - BNC Female
Bulkhead (.217 max.) to BNC Female**

CAGE CODE

664U0

SIGNATURE

X

Materials

**Insulator
Body
Contact**

**Derlin
Brass
Brass**

**Nickel Plated
Gold Plated**

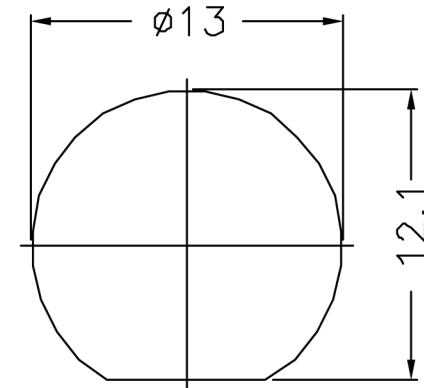
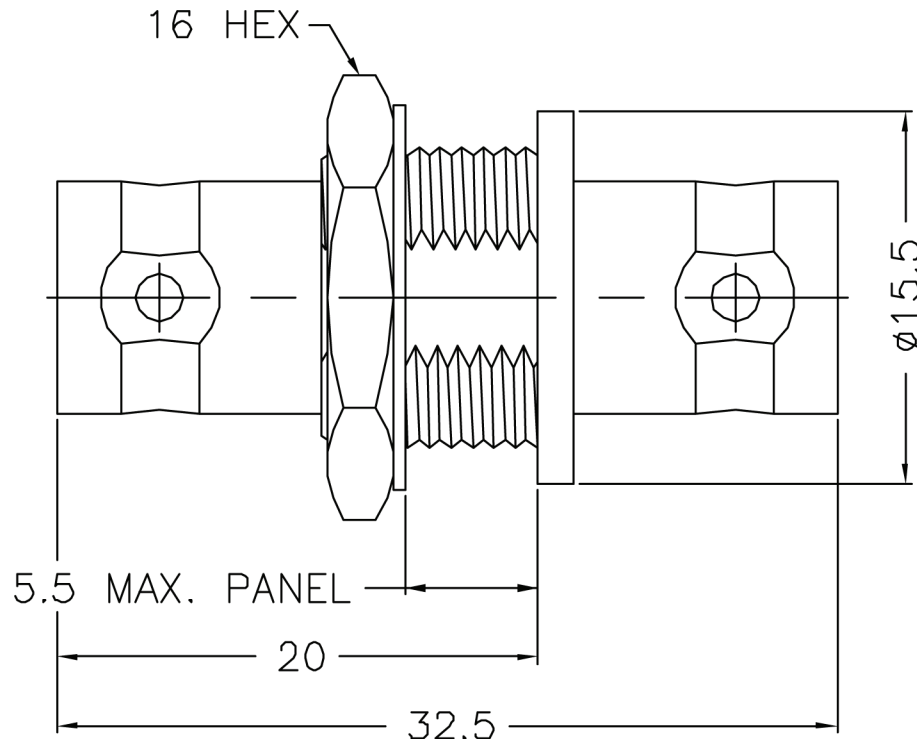
THIS DRAWING INCLUDING THE
DESIGNS IS THE PROPERTY OF
KONNECT RF AND IS NOT TO
BE USED FOR ANY PURPOSE
WITHOUT OUR APPROVAL.

PART NUMBER

KAD177443

REV.

INITIAL

RoHS CompliantRECOMMENDED
MOUNTING HOLE**Konnnect RF**

540 NW University Blvd. Ste. 109
Port Saint Lucie, Florida, 34986
1-800-790-5887

PART NUMBER

KAD177443

DESCRIPTION

**Adapter - In-Series - BNC Female
Bulkhead (.217 max.) to BNC Female**

CAGE CODE

664U0

SIGNATURE

X

Materials

**Insulator
Body
Contact**

**Derlin
Brass
Brass**

**Nickel Plated
Gold Plated**

THIS DRAWING INCLUDING THE
DESIGNS IS THE PROPERTY OF
KONNECT RF AND IS NOT TO
BE USED FOR ANY PURPOSE
WITHOUT OUR APPROVAL.