

PART NUMBER

KAD177401

REV.

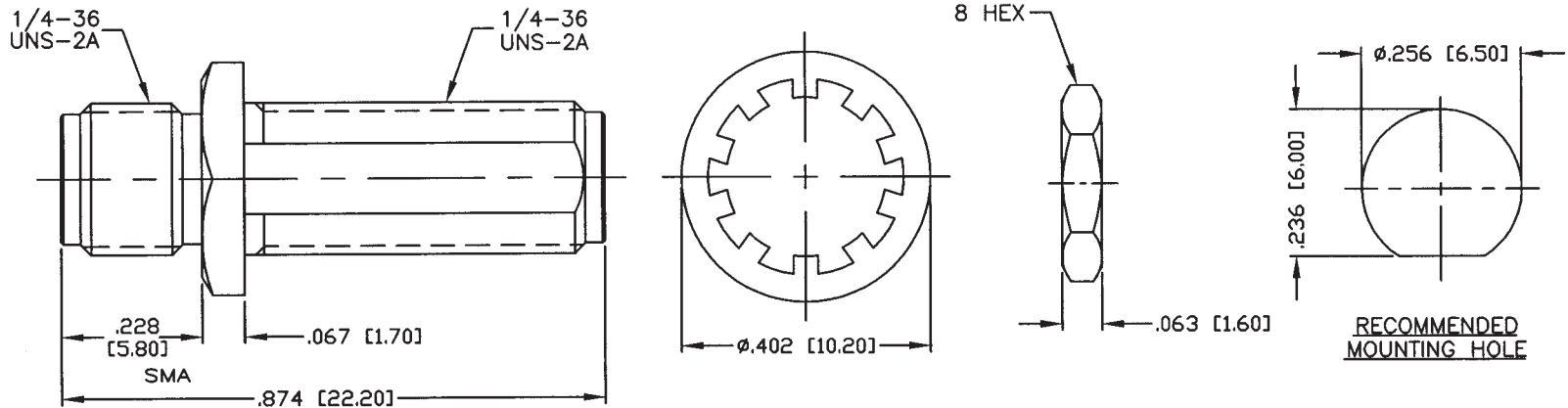
DATE

DESC.

INITIAL

Electrical Data

Impedance	50 Ohm
Frequency Range	0 - 12.4 GHz
Working Voltage	500 V RMS Max.
Insulation Resistance	5000 M Ohms Min.

**Konnnect RF**

WWW.KONNECTRF.COM
 540 NW University Blvd. Ste. 109
 Port Saint Lucie, Florida, 34986
 1-800-790-5887

PART NUMBER

KAD177401

DESCRIPTION

Adapter - In-Series - 2.92 Female Jack to Female Jack

CAGE CODE

664U0

SIGNATURE

X

THIS DRAWING INCLUDING THE DESIGNS IS THE PROPERTY OF KONNECT RF AND IS NOT TO BE USED FOR ANY PURPOSE WITHOUT OUR APPROVAL.

Materials

Body
 Center Contact
 Hex Nut
 Lock Washer
 Insulator

Brass
 Be-Cu
 Brass
 Brass
 PTFE

Nickel Plated
 Gold Plated
 Nickel Plated
 Nickel Plated