

PART NUMBER

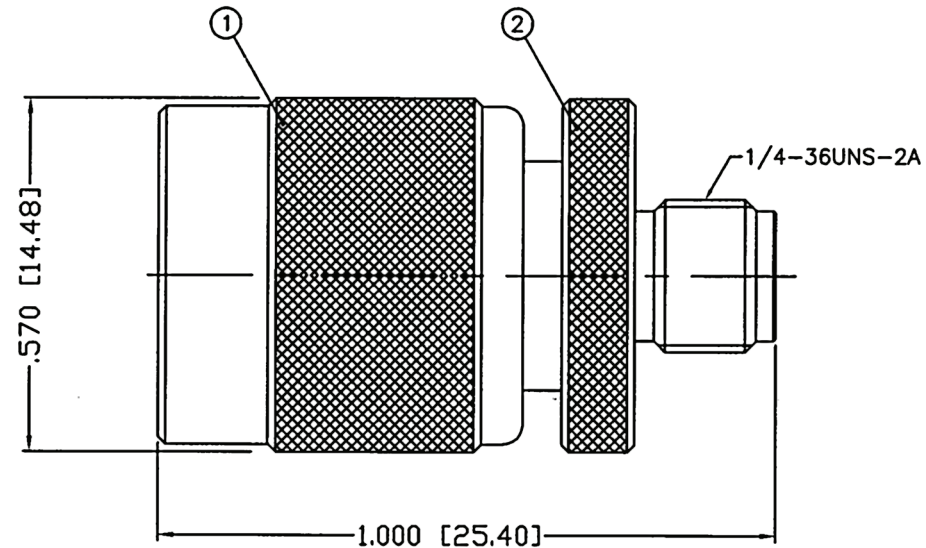
**KAD177396**

REV.

INITIAL

**Electrical Data**

Impedance	50 Ohm
Frequency Range	DC-11GHz
Working Voltage	375V rms @ sea level
Insulation Resistance	5000M Ohm min.
Temperature Range	-65°C to 85°C
VSWR	< 1.10:1 0-7GHz
Insertion Loss (dB)	-0.1 dB Max 0-7 GHz
RF High Potential	1k VRMS @ 5~7.5 MHz



540 NW University Blvd. Ste. 109  
Port Saint Lucie, Florida, 34986  
1-800-790-5887

PART NUMBER

**KAD177396**

DESCRIPTION

**Adapter - Between Series  
TNC Male Plug to SMA Female Jack**

CAGE CODE

**664U0**

SIGNATURE

X

THIS DRAWING INCLUDING THE  
DESIGNS IS THE PROPERTY OF  
KONNECT RF AND IS NOT TO  
BE USED FOR ANY PURPOSE  
WITHOUT OUR APPROVAL.

**Materials**

Shell	Brass	Nickel Plated
Insulator	PTFE	
Body	Brass	Nickel Plated
Contact	Phos. Bronze	Gold Plated
Gasket	Silicone Rubber	
R-Ring	Brass	Nickel Plated
Bushing	Delrin	White
Washer	Brass	Nickel Plated

PART NUMBER

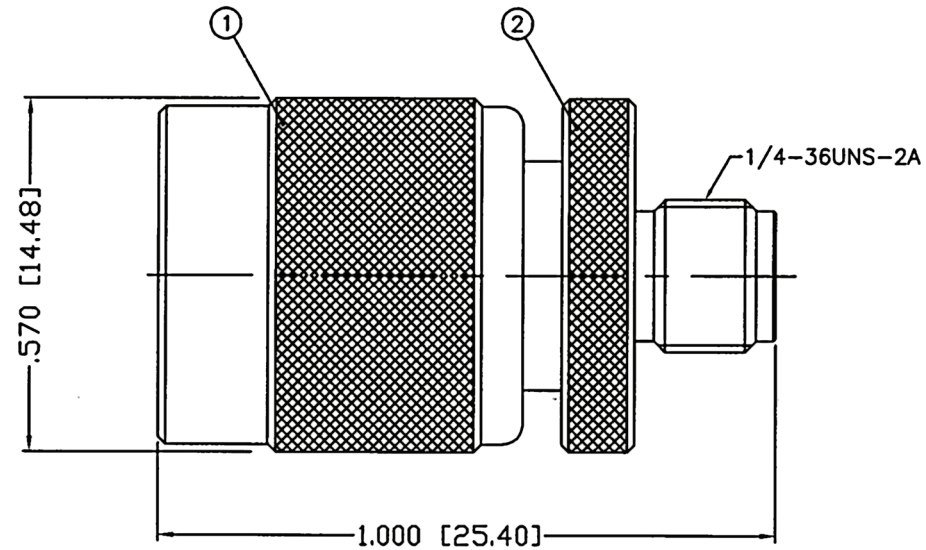
**KAD177396**

REV.

INITIAL

**Electrical Data**

Impedance	50 Ohm
Frequency Range	DC-11GHz
Working Voltage	375V rms @ sea level
Insulation Resistance	5000M Ohm min.
Temperature Range	-65°C to 85°C
VSWR	< 1.10:1 0-7GHz
Insertion Loss (dB)	-0.1 dB Max 0-7 GHz
RF High Potential	1k VRMS @ 5~7.5 MHz



540 NW University Blvd. Ste. 109  
Port Saint Lucie, Florida, 34986  
1-800-790-5887

PART NUMBER

**KAD177396**

DESCRIPTION

**Adapter - Between Series  
TNC Male Plug to SMA Female Jack**

CAGE CODE

**664U0**

SIGNATURE

X

THIS DRAWING INCLUDING THE  
DESIGNS IS THE PROPERTY OF  
KONNECT RF AND IS NOT TO  
BE USED FOR ANY PURPOSE  
WITHOUT OUR APPROVAL.

**Materials**

Shell	Brass	Nickel Plated
Insulator	PTFE	
Body	Brass	Nickel Plated
Contact	Phos. Bronze	Gold Plated
Gasket	Silicone Rubber	
R-Ring	Brass	Nickel Plated
Bushing	Delrin	White
Washer	Brass	Nickel Plated